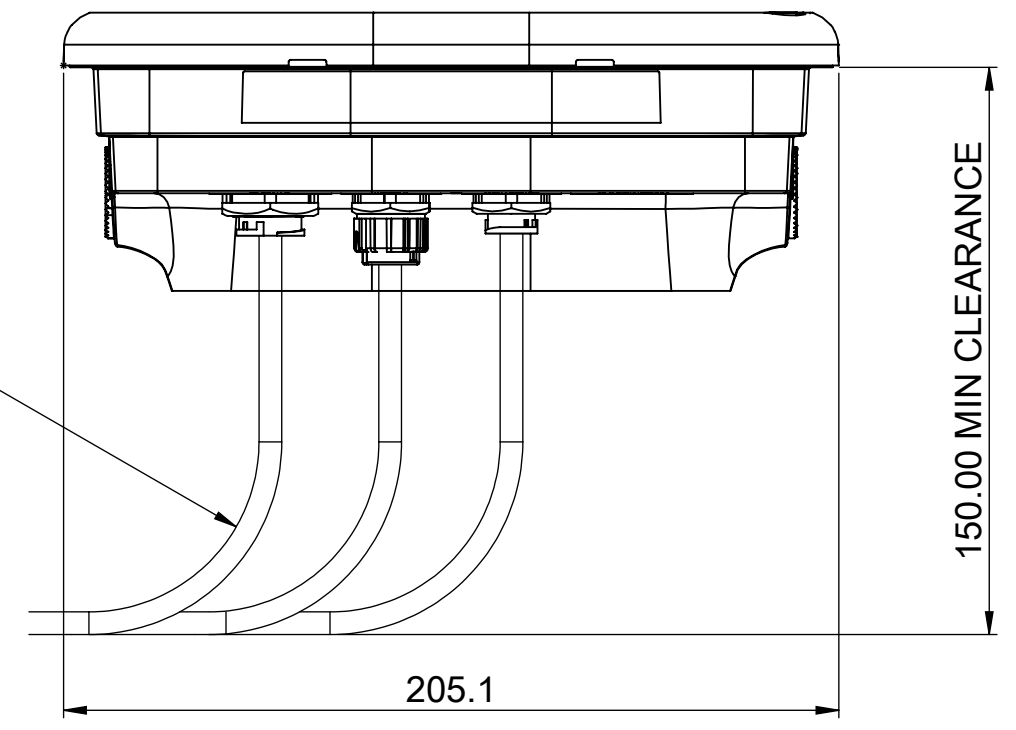


A75 Flush Mount Display

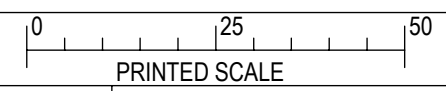
- NOTES:
- 1) FOR INFORMATION ON CONNECTIONS AND PRODUCT SPECIFICATIONS, PLEASE REFER TO HANDBOOK, PRODUCT SUPPORT AND WORKSHOP MANUALS.
 - 2) FOR ANY DIMENSIONAL INFORMATION NOT INCLUDED PLEASE CONTACT YOUR SALES REPRESENTATIVE.
 - 3) DIMENSIONS SHOWN ARE ACTUAL PRODUCT SIZE AND DO NOT INCLUDE ANY CLEARANCE DATA.

R45.00 MIN INSIDE BEND RADIUS

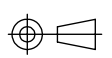


THE INFORMATION CONTAINED HEREIN SHALL NOT BE REPRODUCED WITHOUT THE PRIOR WRITTEN PERMISSION OF RAYMARINE LTD

© 2011 RAYMARINE LTD



DRAWN TO BS308



DO NOT SCALE - IF IN DOUBT ASK

DRN:	R.MOLD/PDT	DATE: 28/02/13
DIMENSIONS IN MM		SCALE: 1:2

TITLE
A75 MFD FLUSH MOUNT
DRAWING No. **D_A75_FM**